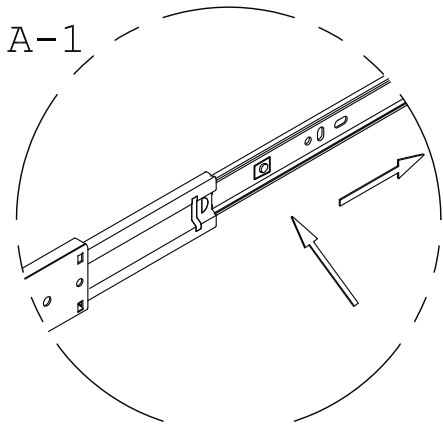
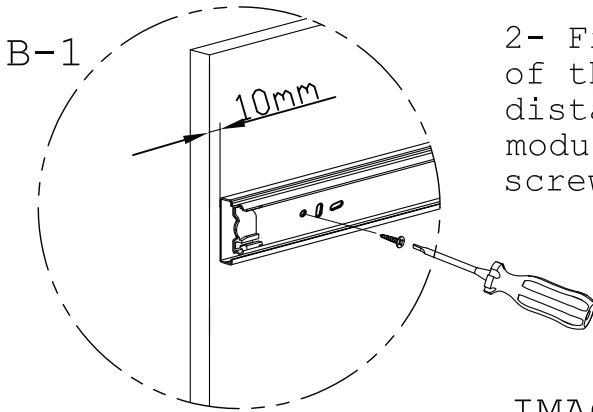
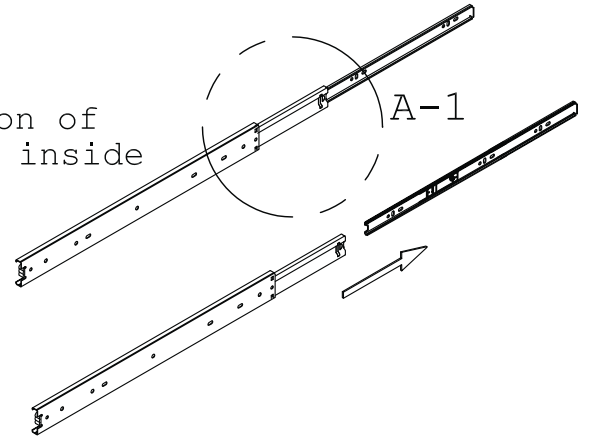


PLATE WITH RAIL MOUNTING INSTRUCTIONS

IMAGE A



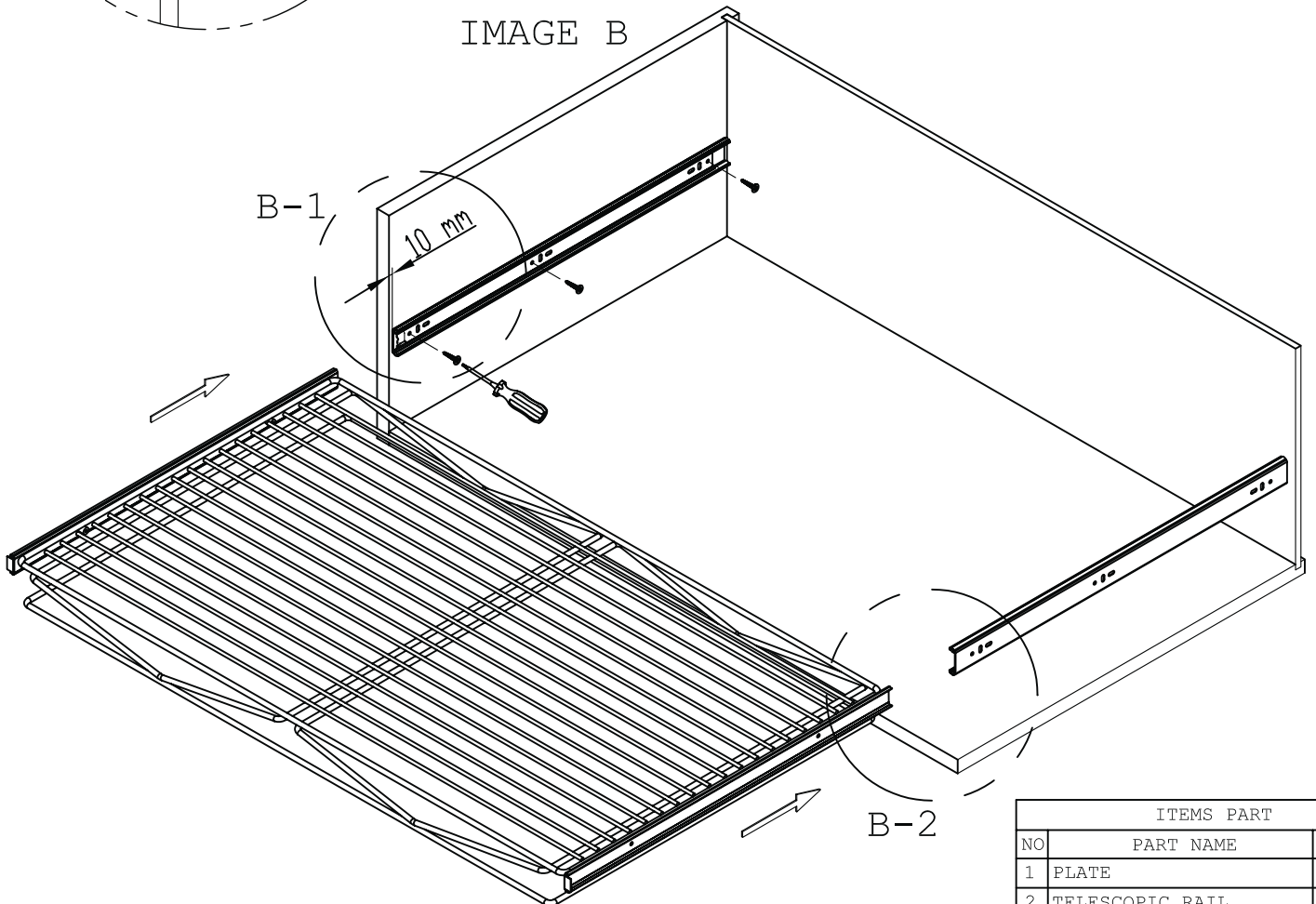
1- Allow to rail on of plate by pressing inside on plastic clips. (IMAGE A-1).



2- Fix to large portion of the rail to the 10 mm distance in front of the module with chip board screw (B-1).

3- Attach to plate on fixing on rail. Check to working of mechanism.

IMAGE B



ITEMS PART		
NO	PART NAME	PCS.
1	PLATE	1 pcs.
2	TELESCOPIC RAIL	1 set
3	CHIPBOARD SCREW 3,5x16	6 pcs
STOCK CODE: SMA26 IMAGE NO: RSM176		