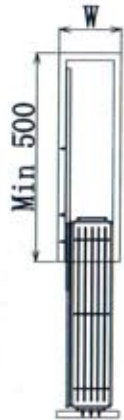


Installation Instruction

For basket with 27mm ball bearing slide in 18 inches



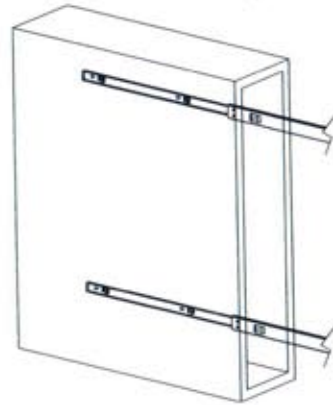
| Cabinet Width | Product Size |
|---------------|--------------|
| 150mm | 100*480*460 |
| 200mm | 145*480*460 |

| No. | Description | Photo | Qty |
|-----|--|-------|-------|
| A | ST4*16 Pan head tapping screw | | 12 |
| B | M4*6 Screw | | 4 |
| C | L480 single extension ball bearing slide | | 1 set |

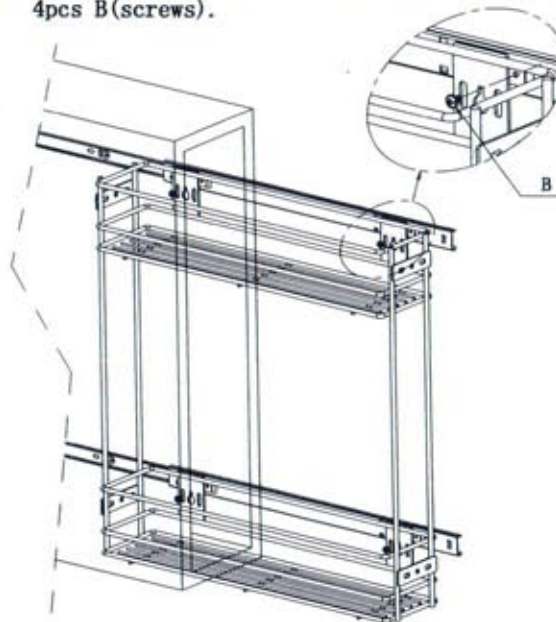
- 1** Making 6*Φ2.5mm hole on side panel of cabinet per below drawing size.



- 2** Fixing C (the slide) on the side panel of cabinet by 6pcs A(screws).

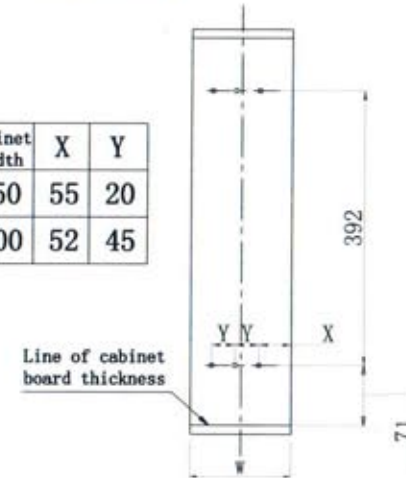


- 3** Fixing the basket on C(the slide) by 4pcs B(screws).



- 4** Making 6*Φ2.5mm hole on door per below drawing.

| Cabinet Width | X | Y |
|---------------|----|----|
| 150 | 55 | 20 |
| 200 | 52 | 45 |



- 5** Fixing the door with 6pcs A(screws).

