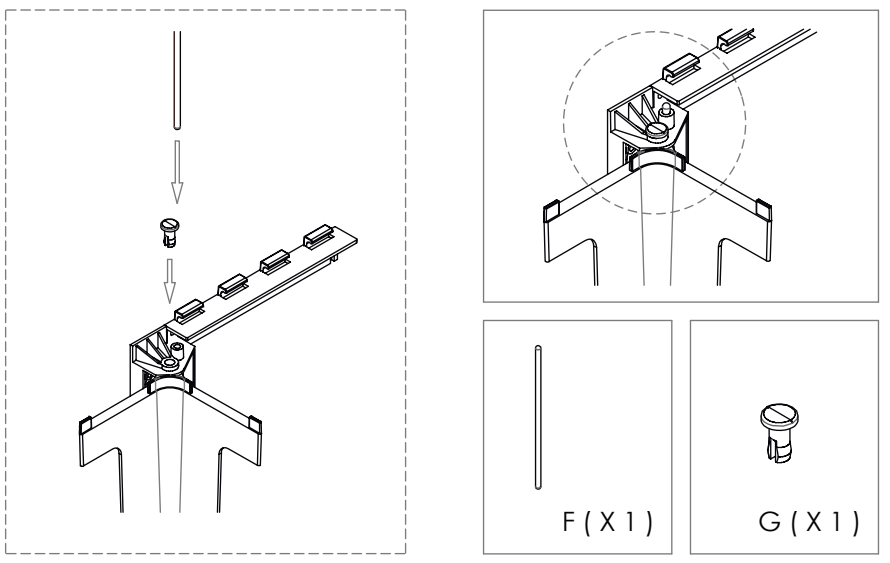
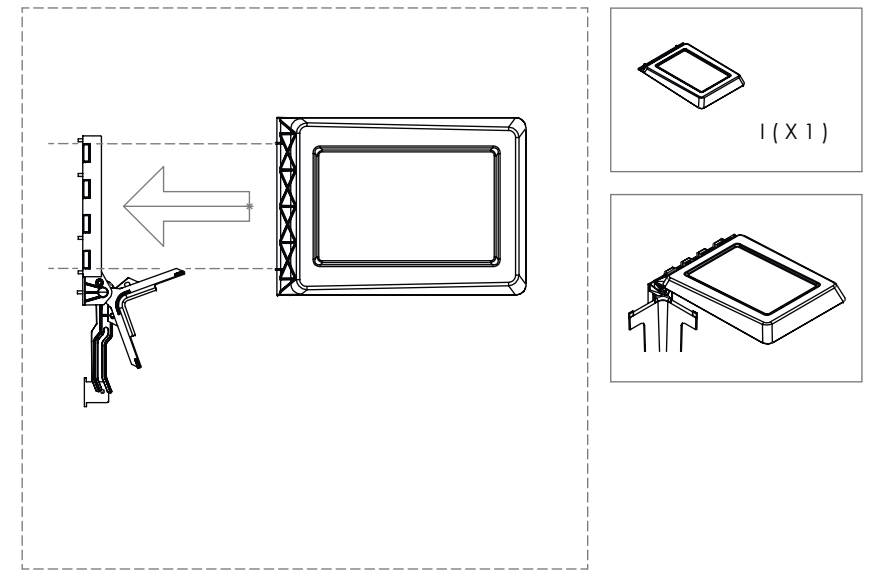


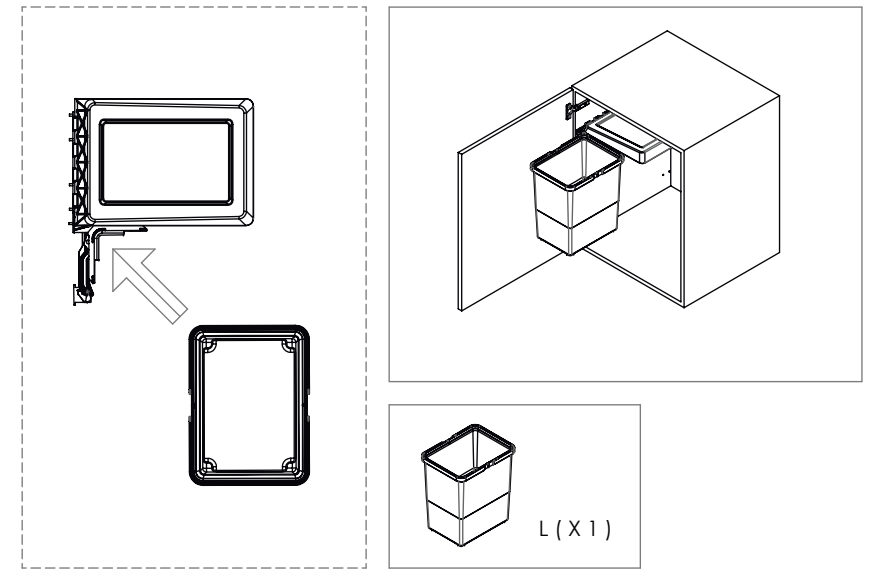
4



5



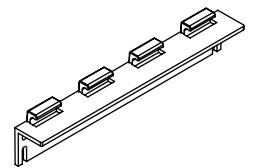
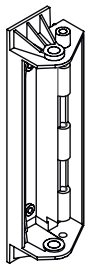
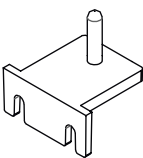
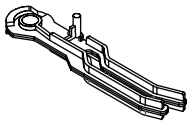
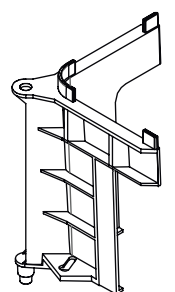


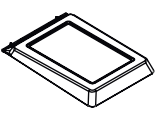
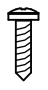
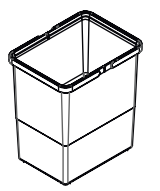
6



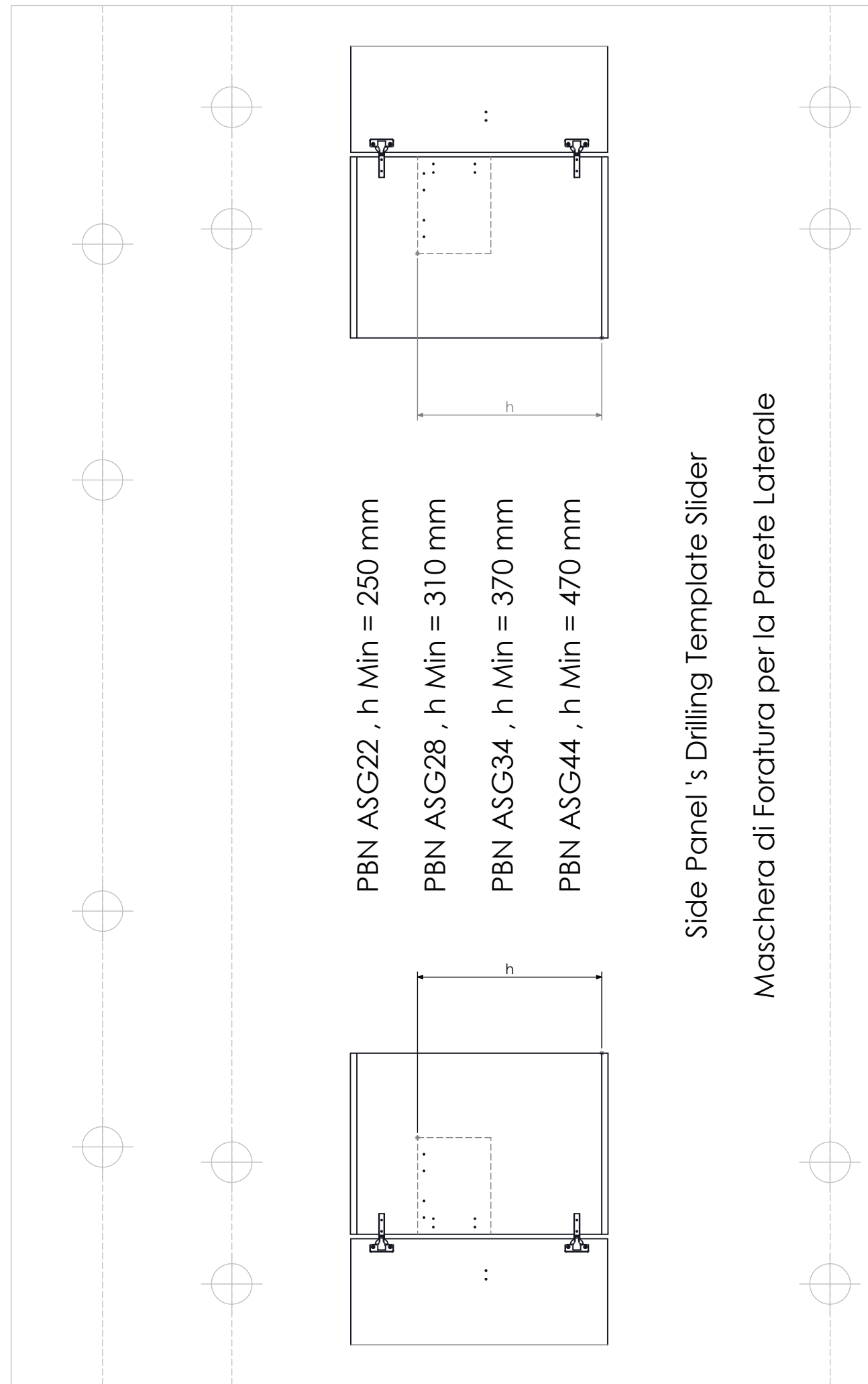
نم الة

1 9 5 4

SWING 2.0

COMPONENTS			
			
A (X1)	B (X1)	C (X1)	D (X1)
			
E (X1)	F (X1)	G (X1)	I (X1)
			
		H (X10)	L (X1)

Right Side



- PBN ASG22 , h Min = 250 mm
- PBN ASG28 , h Min = 310 mm
- PBN ASG34 , h Min = 370 mm
- PBN ASG44 , h Min = 470 mm

Side Panel 's Drilling Template Slider

Maschera di Foratura per la Parete Laterale

Left Side

