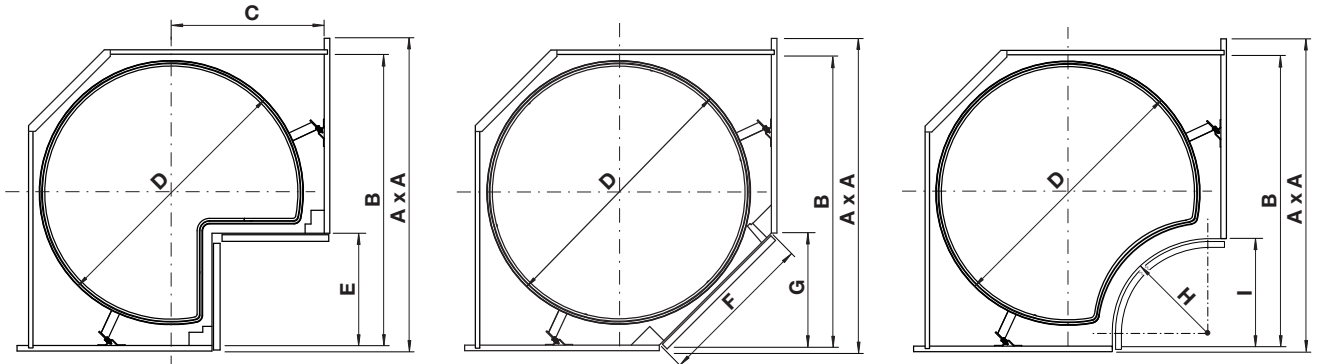




# VS COR® Wheel Pro



## Cabinet dimensions



A x A	B	C	D	E	F	G	H	I
600 x 600	> 555	310	460	< 282	< 399	< 282	> R210	< 282
600 x 600	> 565	310	480	< 265	< 367	< 259	> R320	< 284
650 x 650	> 615	360	480	< 315	< 508	< 359		
800 x 800	> 745	390	680	< 235	< 393	< 278		
900 x 900	> 815	440	720	< 322	< 494	< 350	> R250	< 322
900 x 900	> 835	440	760	< 335	< 455	< 321	> R322	< 322

Measurements in mm

## Cabinet dimensions

**Widths:** 600 x 600, 650 x 650, 800 x 800, 900 x 900 mm

**Side depth:** min. 490 mm

**Internal height:** 620 mm

**Load capacity:** 27,5 kg per shelf  
(600 x 600 and 650 x 650 mm: 12 kg)

## Shelf variants: 3/4, 4/4, concave

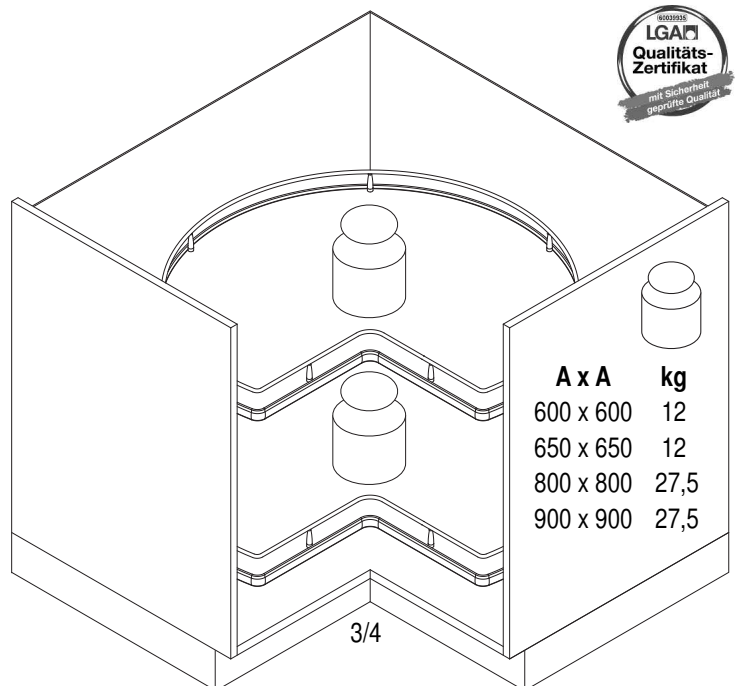
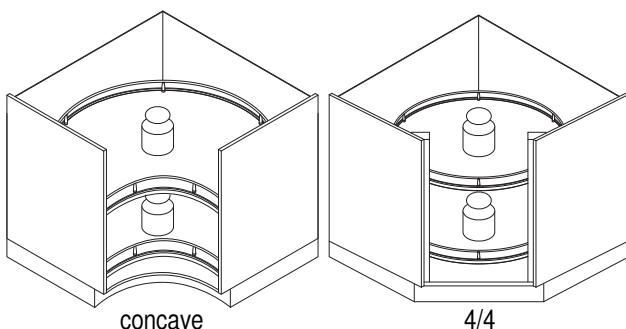
**Rail:** Rail with wire railing and edge in chrome, RAL 9006 or champagne

**Basic:** with high edge in chrome, RAL 9006, or stainless steel

**Smart:** edge in chrome or RAL 9006 with semirigid polymer railing

## Specification

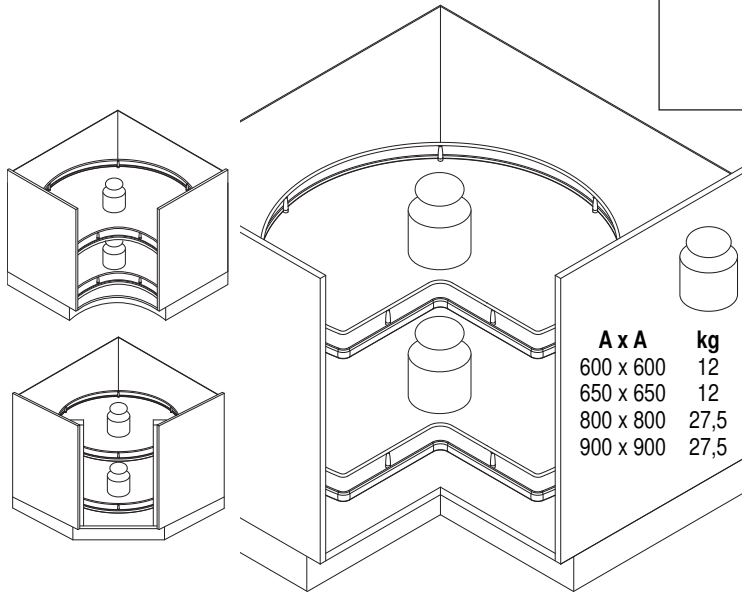
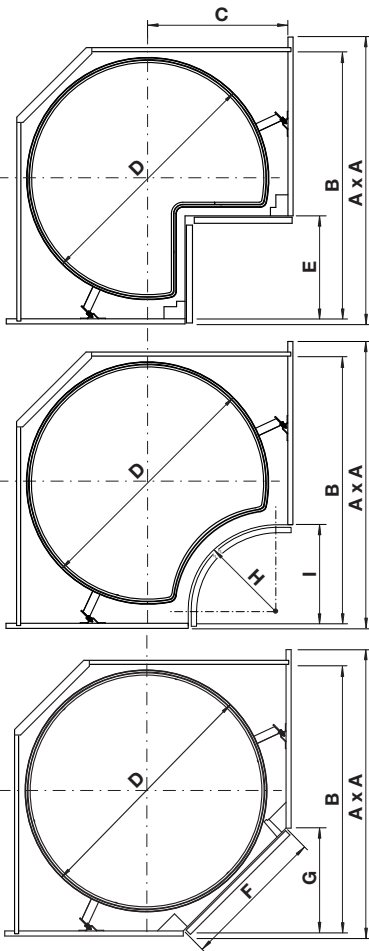
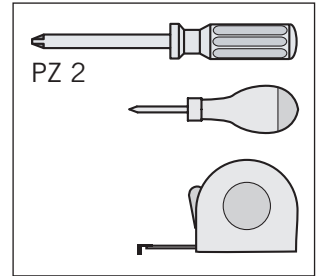
**Fitting:** RAL 9010  
for base, high and wall units



07 / 2019

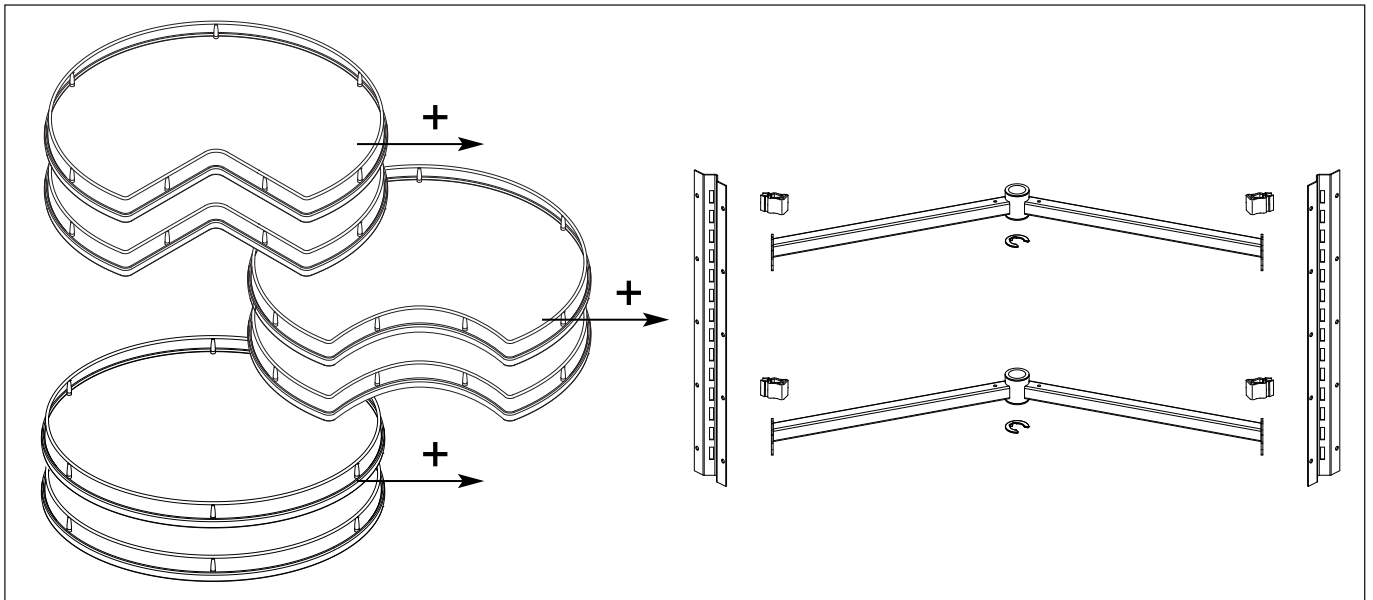


# VS COR® Wheel Pro

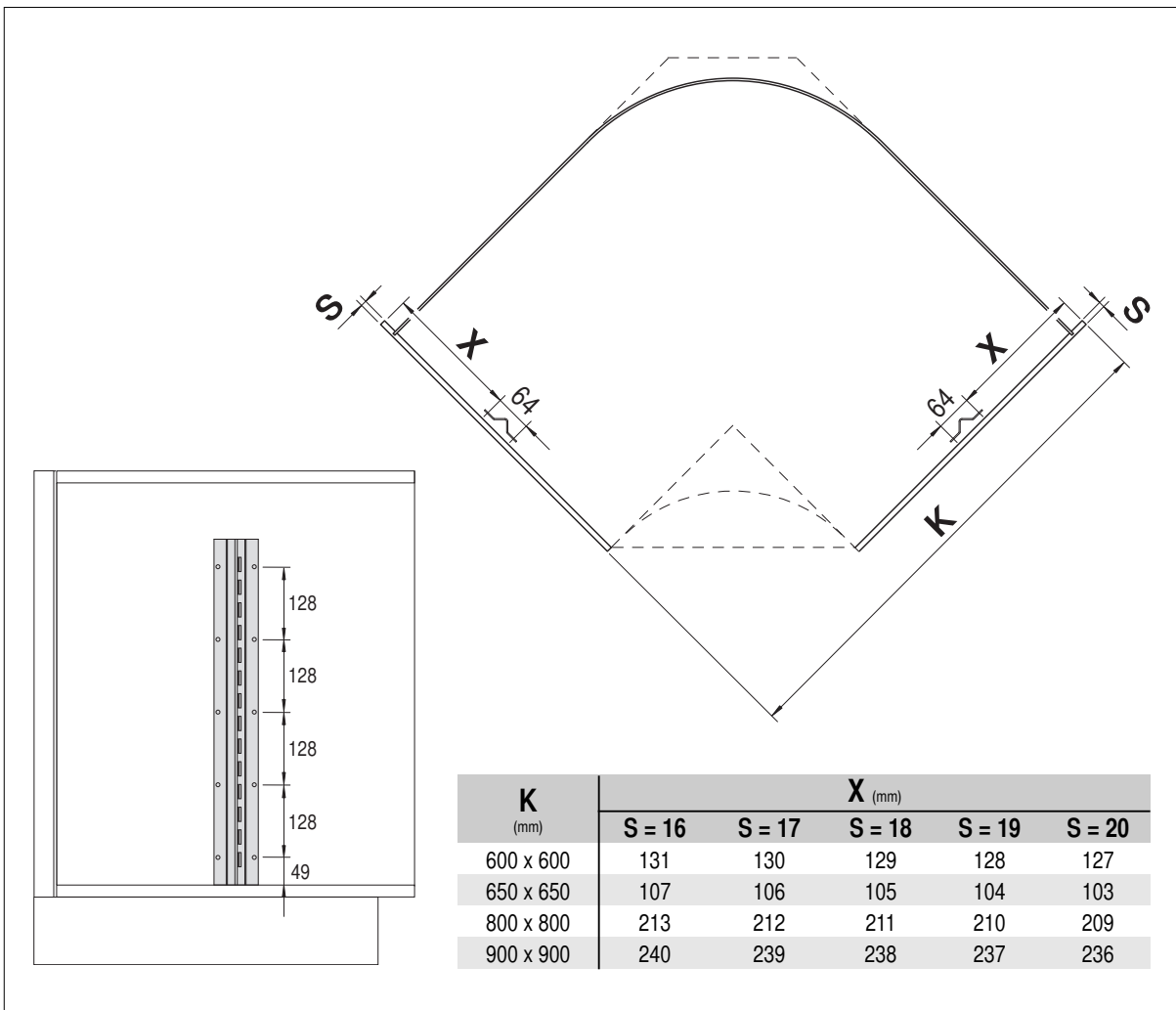
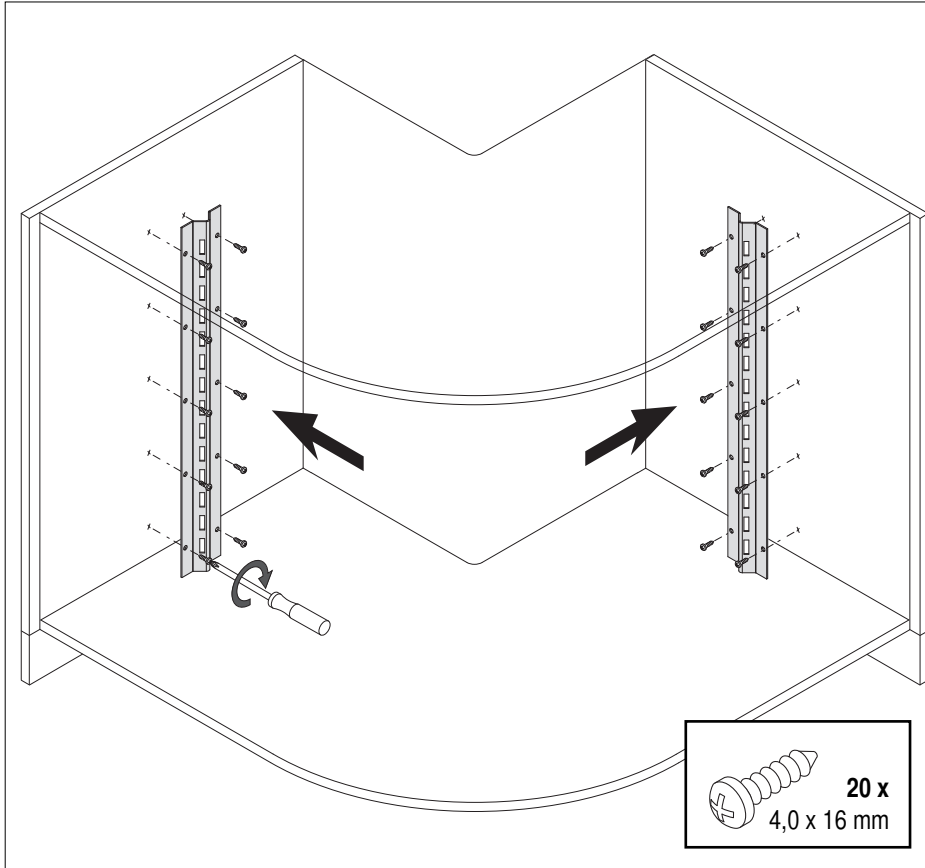


A x A	kg
600 x 600	12
650 x 650	12
800 x 800	27,5
900 x 900	27,5

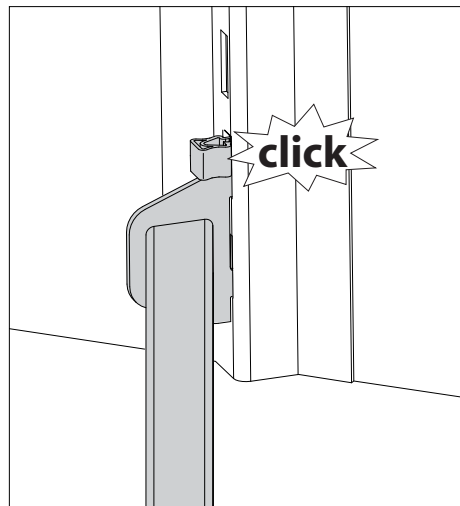
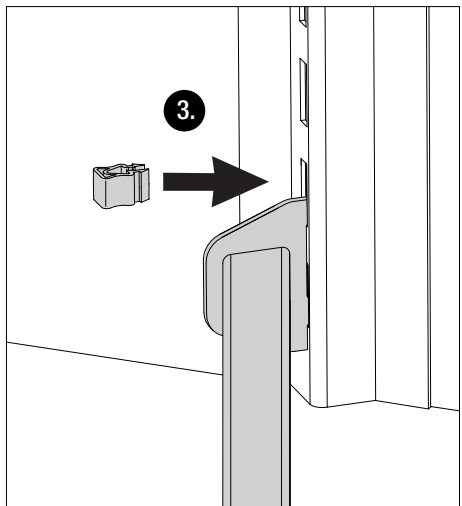
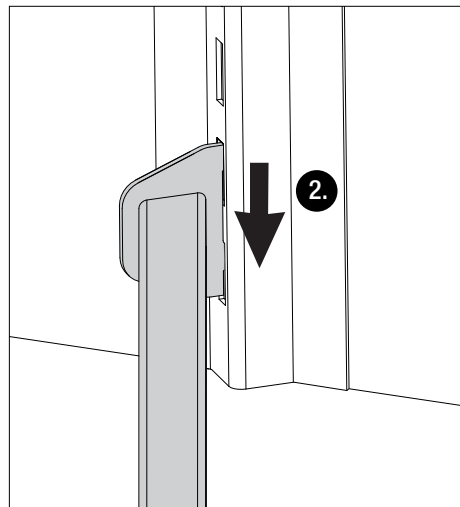
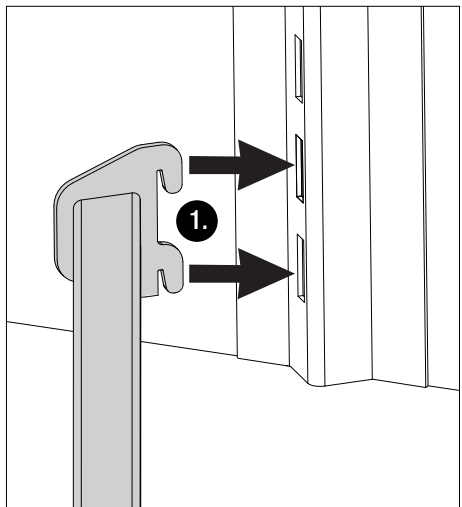
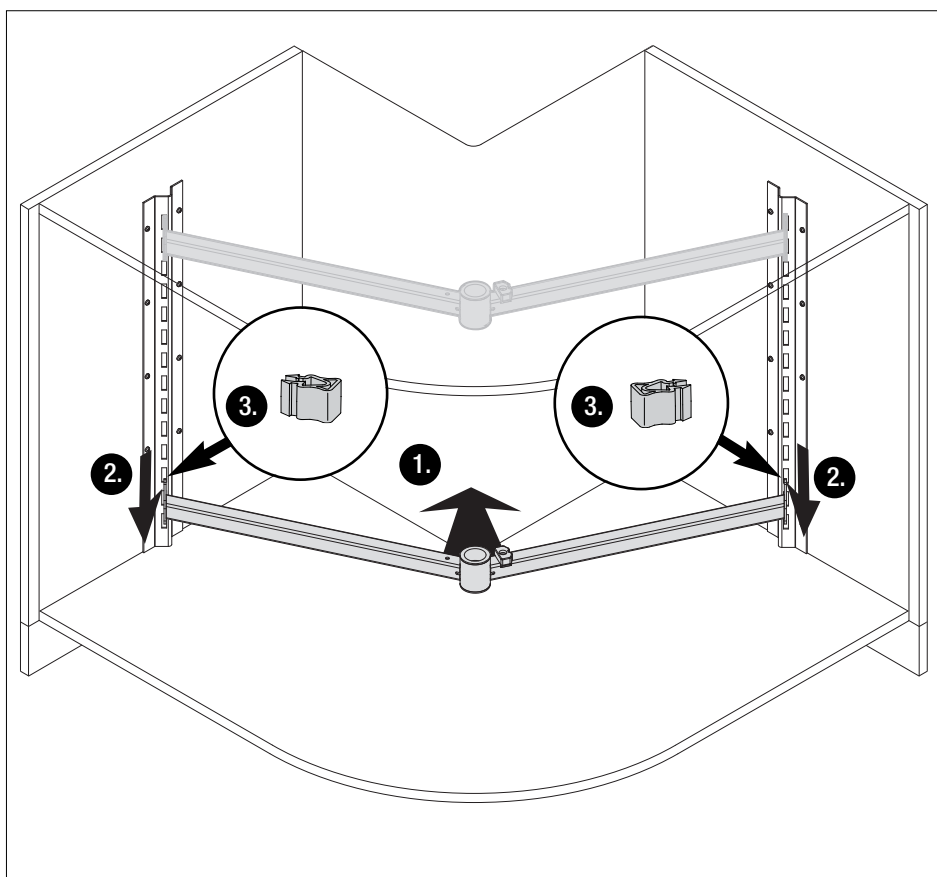
A x A (mm)	B (mm)	C (mm)	D (mm)	E (mm)	F (mm)	G (mm)	H (mm)	I (mm)
600 x 600	> 555	310	460	< 282	< 399	< 282	> R210	< 282
600 x 600	> 565	310	480	< 265	< 367	< 259	> R320	< 284
650 x 650	> 615	360	480	< 315	< 508	< 359		
800 x 800	> 745	390	680	< 235	< 393	< 278		
900 x 900	> 815	440	720	< 322	< 494	< 350	> R250	< 322
900 x 900	> 835	440	760	< 335	< 455	< 321	> R322	< 322



1



2



3

