

MAGIC-MOVE

TS10 Series Synchronized Full Extension Undermount Slides with Locking Device



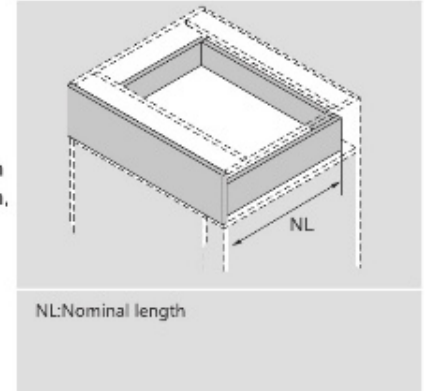
PRODUCT



DESCRIPTION

- Load capacity: 40kg
- Finish: zinc plated
- Length: 250-600mm, full extension
- Silent system guarantees smooth run without noise
- 2D adjustment, up&down: 0-2.5mm, side: ± 1.5 mm
- 3D adjustment, up&down: 0-2.5mm, side: ± 1.5 mm, depth: 0-3mm
- Maximum drawer side thickness: 16mm

SPACE REQUIREMENT



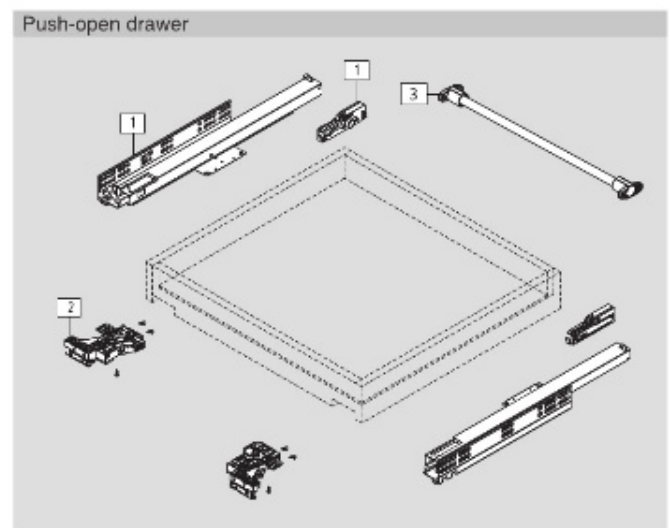
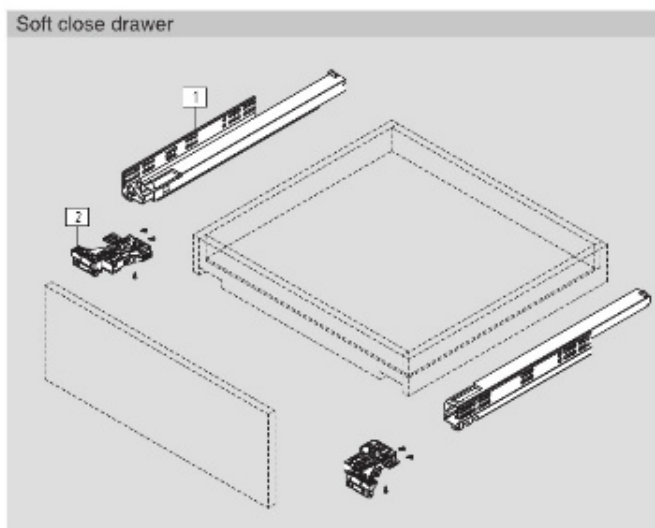
SOFT CLOSE DRAWER/PUSH-OPEN DRAWER

1					
Slides (left/right)					
Pre-zinc Steel (F02)					
NL	Soft close Item No.	Set/ctn	Push-open Item No.	Set/ctn	
250mm	TS10250H	10	TF10250H	6	
270mm	TS10270H	10	TF10270H	6	
300mm	TS10300H	10	TF10300H	6	
320mm	TS10320H	10	TF10320H	6	
350mm	TS10350H	10	TF10350H	6	
380mm	TS10380H	10	TF10380H	6	
400mm	TS10400H	10	TF10400H	6	
420mm	TS10420H	10	TF10420H	6	
450mm	TS10450H	10	TF10450H	6	
480mm	TS10480H	10	TF10480H	6	
500mm	TS10500H	10	TF10500H	6	
520mm	TS10520H	10	TF10520H	6	
550mm	TS10550H	10	TF10550H	6	
600mm	TS10600H	10	TF10600H	6	

2D Locking Device (Left/Right)	
Grey(H11)	
Item No.	0TSD01-A

2	
3D Locking Device (Left/Right)	
Grey(H11)	
Item No.	0TSD02-A

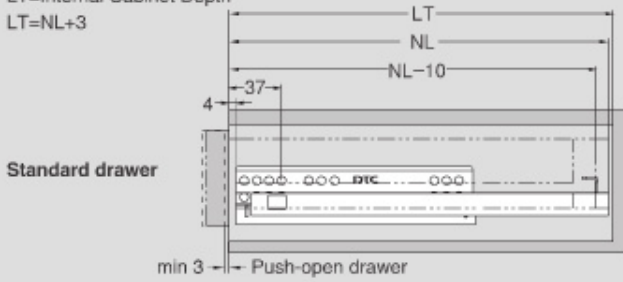
3	
Rod for Push-open Synchronization (For cutting to size, 1100mm. Cutting: Internal cabinet width LW-172)	
Item No.	HTOFH02



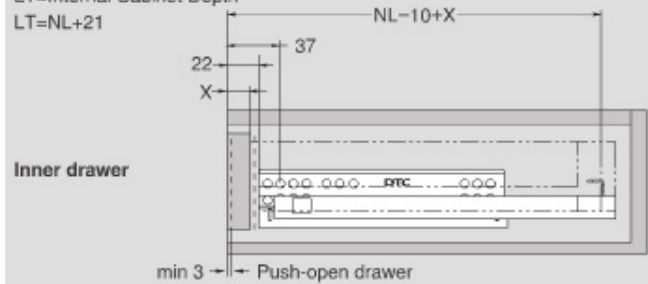
PLANNING

Installation Dimensions(mm)

NL=Nominal Slide Length
 LT=Internal Cabinet Depth
 LT=NL+3



NL=Nominal Slide Length
 LT=Internal Cabinet Depth
 LT=NL+21



Screw Positions of the Slides(mm)

Cabinet edge	Slide Model	Slide Length (mm)	Internal Cabinet Depth (mm)
99	07132	260 L	250
99	07172	278 L	270
99	12059	300 L	300
99	12102	320 L	320
99	05729	350 L	350
99	10752	380 L	380
99	12062	400 L	400
99	07729	420 L	420
99	10759	450 L	450
99	11729	480 L	480
99	08729	500 L	500
99	11619	530 L	520
99	11722	550 L	550
99	05729	600 L	600

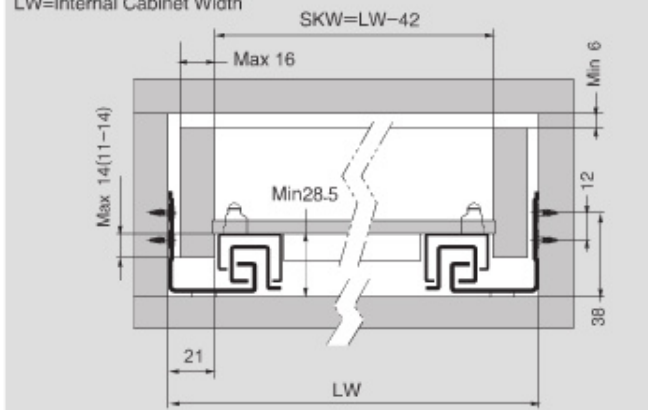
Fixing hole position for inner drawer
32
96
128
160
192
224
256
36
44
74

37 ← Fourth hole

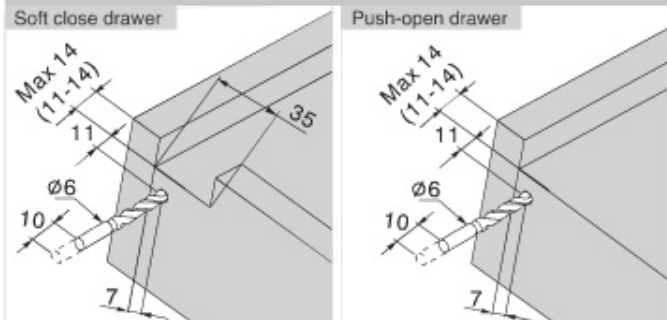
37 ← Second hole

Installation Dimensions(mm)

SKW=Internal Drawer Width
 LW=Internal Cabinet Width



Drawer Back Preparation(mm)



Locking Device Installation(mm)

